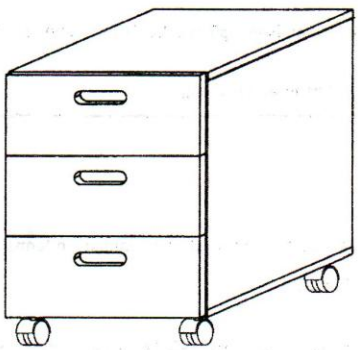










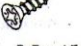












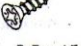












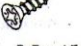




<p>77330</p> 	<table border="1" style="width: 100%; border-collapse: collapse;"> <tr> <td style="width: 15%;">A = 16 x </td> <td style="width: 15%;">B = 16 x </td> <td style="width: 15%;">C = 8 x  8 x 32</td> <td style="width: 15%;">D = 4 x </td> <td style="width: 15%;">E = 16 x  3,5 x 15</td> </tr> <tr> <td>F = 3 x </td> <td>G = 3 x </td> <td colspan="3">H = 12 x  5,8/6,5x11</td> </tr> <tr> <td>I = 3 x </td> <td>J = 3 x </td> <td colspan="3">K = 12 x  3,5 x 15</td> </tr> <tr> <td colspan="2"></td> <td>L = 12 x  4,0 x 35</td> <td colspan="2">M = 4 x  7 x 50</td> </tr> </table>	A = 16 x 	B = 16 x 	C = 8 x  8 x 32	D = 4 x 	E = 16 x  3,5 x 15	F = 3 x 	G = 3 x 	H = 12 x  5,8/6,5x11			I = 3 x 	J = 3 x 	K = 12 x  3,5 x 15					L = 12 x  4,0 x 35	M = 4 x  7 x 50	
A = 16 x 	B = 16 x 	C = 8 x  8 x 32	D = 4 x 	E = 16 x  3,5 x 15																	
F = 3 x 	G = 3 x 	H = 12 x  5,8/6,5x11																			
I = 3 x 	J = 3 x 	K = 12 x  3,5 x 15																			
		L = 12 x  4,0 x 35	M = 4 x  7 x 50																		

Name:.....Strasse:.....	Wellemöbel http://www.welle-moebel.de e-mail: info@welle.com fax: +49 (0) 52 51-883 645
Ort:.....Telefon:.....	

